

433MHZ Through hole Mount Antenna Specification

(Model NO.: RY-433-13)



(1) Product Overview

Frequency (MHz): 433

VSWR \leq 2

Gain (dBi): 2

Max Input power (W): 50

Input Impedance (Ω): 50

Polarization : Vertical

Size (mm): Φ 30 \times 80

Antenna housing colour:Black/grey

Cable length (cm): 10,15 etc.

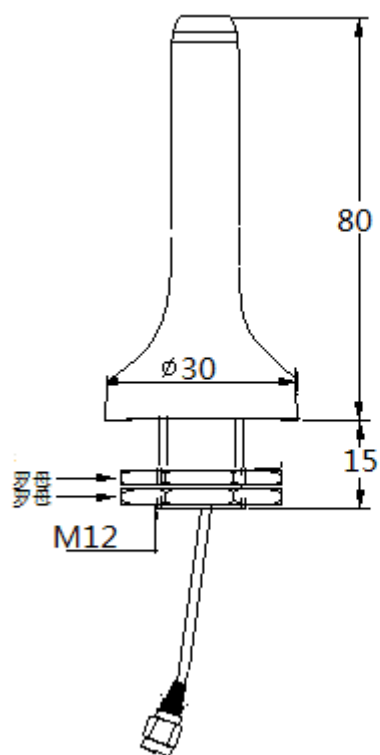
Connector : SMA male etc.

Mounting : Screw(thread size:M12)

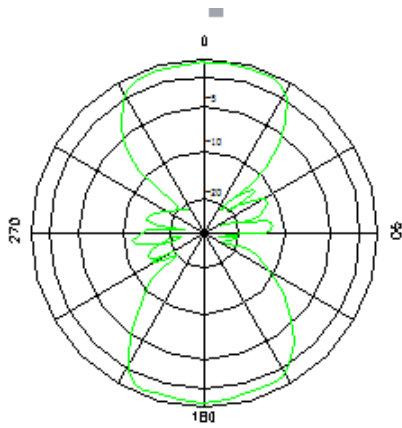
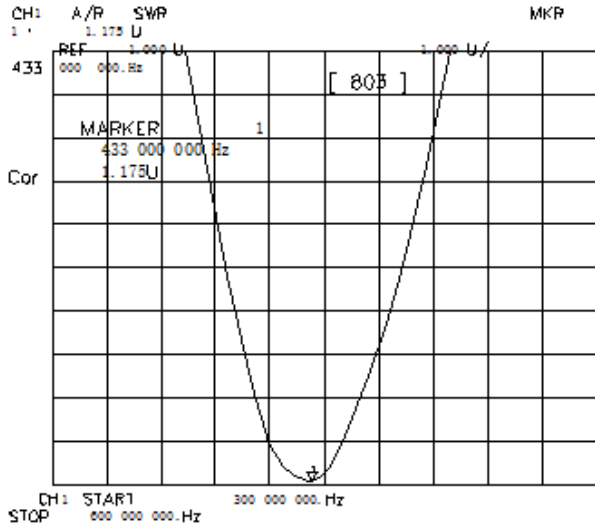
Storage Temperature : -30°C to+75°C

Operating Temperature: -30°C to+75°C

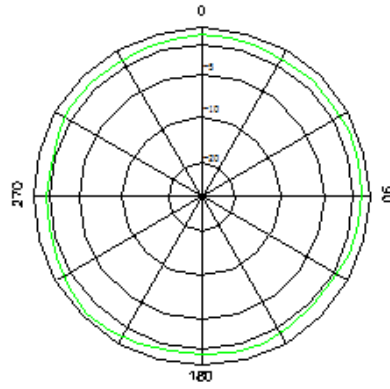
(2) Size



(3) Testing Curve



垂直面方向图
 Vertical Pattern



水平面方向图
 Horizontal Pattern

433MHz